

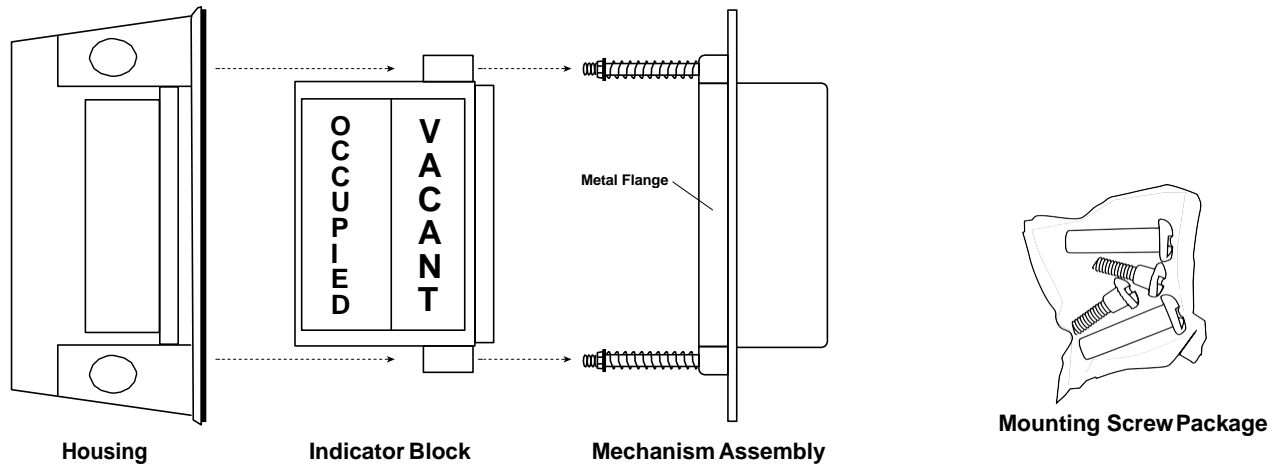
# Installation Instructions



The Peep No More Stall Indicator consists of 5 items shown below:

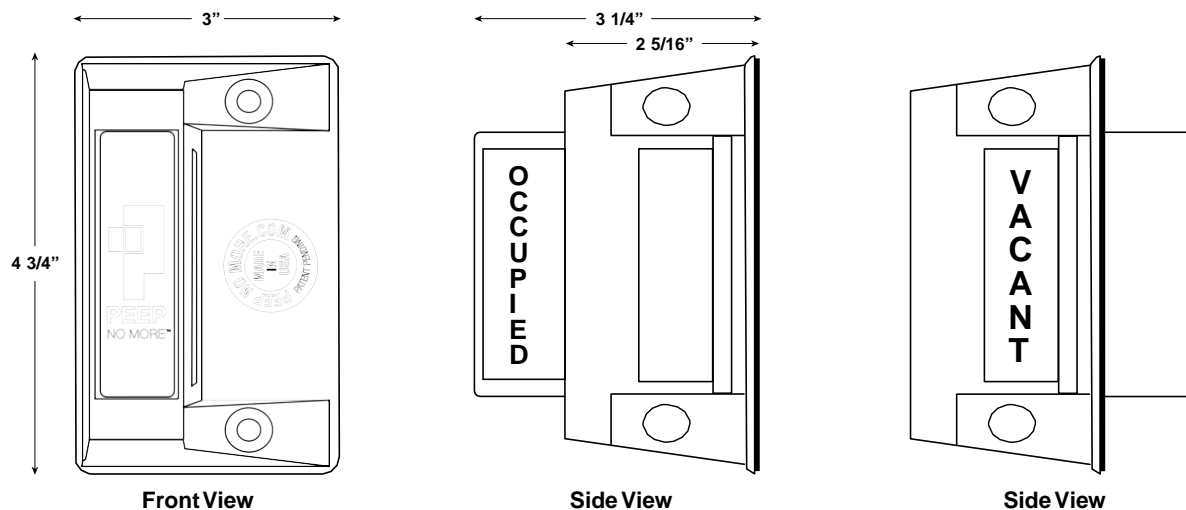
1. **Housing**
2. **Indicator Block**
3. **Mechanism Assembly** (with mounting plate/template and slider block attached)
4. **Mounting Screw Package**
5. **Tube of Adhesive**

TOOLS NEEDED: Prick Punch, Drill, 1/4" Drill Bit, Flat Head Screwdriver

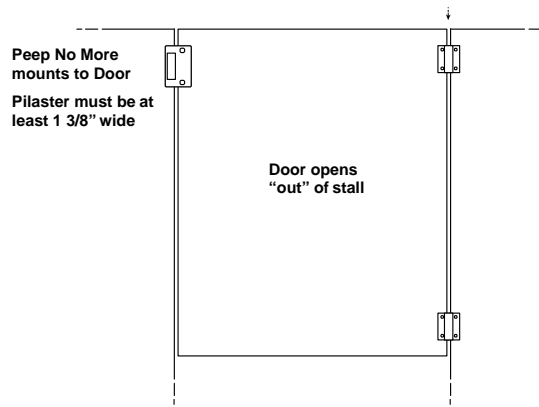
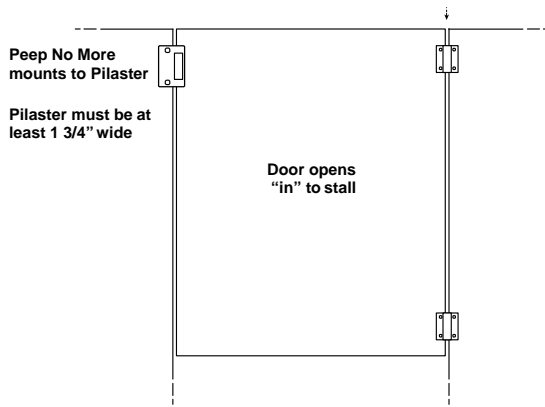


## Dimensions

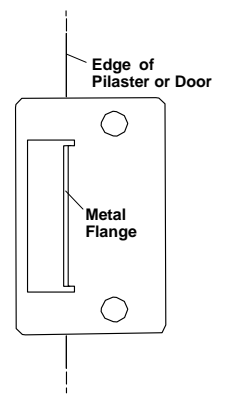
Continue to next page for step-by-step installation instructions.



## Step 1



## Step 2



The Indicator can be mounted on stalls hinged left or right and with doors that swing in or out. The following illustrations show these mounting configurations. Note that when the door swings in the indicator is mounted on the PILASTER next to the edge of the door opposite the hinges, and when the door swings out, the indicator is mounted to the DOOR on the edge opposite the hinges.

## Installation (WEAR SAFETY GOGGLES/EYEWEAR)

**Step 1:** Determine the height. We recommend mounting the indicator so that the top is 2 inches below the top of the door. Mark one pilaster or door (depending on whether the door swings in or out) at a point 2 inches from the top of the door. This will be the top of the indicator. Measure the distance from the floor to the mark just made. Mark all other doors and/or pilasters at this same measurement.

**Step 2:** Using the flange of the mounting plate as a template to mark hole locations, place the top of the mounting plate at the marks made in "Step 1" and position the flange against the vertical edge of the pilaster or door to mark hole locations – **IT WILL ACTUALLY BE MOUNTED DIFFERENTLY AS SHOWN ABOVE IN "STEP 1"**.

**Step 3:** Using a Prick Punch tool, make a puncture in the center of the markings of the hole locations made in "Step 2" in order to properly guide the drill bit and prevent it from slipping. Drill two 1/4" diameter holes for the mounting screws.

**Step 4:** Hold the Mechanism Assembly against the mounting holes the way it will actually be mounted to determine the orientation of the Indicator Block such that the words VACANT and OCCUPIED read correctly as shown.

**Step 5: WARNING: BEFORE APPLYING THE ADHESIVE IN THIS STEP, BE SURE TO READ ALL DIRECTIONS CAREFULLY. ADHESIVE SETS INSTANTLY AND IS A STRONG, PERMANENT BOND.** Hold up the Mechanism Assembly to the stall door or pilaster and determine how it will be mounted. MAKE SURE the words VACANT AND OCCUPIED on the Indicator Block will read correctly when it is inserted into the Slider Block on the Mechanism Assembly. After ENSURING that the VACANT and OCCUPIED words read correctly, apply a THIN layer of the adhesive to all four (4) sides of the inset at the end of the inside of the Slider Block on the Mechanism Assembly. Slide the Indicator Block into the Slider Block on the Mechanism Assembly until it seats completely. If excess adhesive squeezes out onto the exterior of the Slider Block or Indicator Block, wipe it off with a damp cloth.

**Step 6: NOTE: For installation on the pilaster (inswinging door configuration) use 1" long screws & for installation on the door (outswinging door configuration) use 3/4" long screws.**

Slip the Mechanism Assembly with Indicator Block into the housing and fasten to the door or pilaster with the tamper proof screw sets. The long threaded end of the screw set goes through the front of the product and the small screw end goes through the pilaster or door (depending on outswinging or inswinging door configuration). Tighten the small screw end into the long threaded end using a flat head screw driver.

**Step 7:** Check to see that the Indicator functions properly with the door open and with the door closed.